

SPC-3204D

Programmable

Automation Controller



Features

- Robust and Flexible Fanless Embedded System
- Support Intel® Pentium® N3710 Processor
- Support Dual channel DDR3L SO-DIMM, Max. 8GB
- Support Storage with mSATA SSD
- Support external C-Fast x 1
- Support DVI-I Dual display
- Intel® I211-AT Gigabit Ethernet port x 2
- 5 x RS-232, 1 x RS-232 / 422 / 485 and 2 x RS485
- Isolated digital with 8 DI and 8 DO

Ordering information

- **SPC-3204D**
Intel® Pentium® N3710 Processor
6 x COM ports, 2 x RS-485 ports
2 x LAN ports, (6+1) x USB ports
Isolated 8 DI and 8 DO
- **Y cable from DB15 to Two DB9 FM**
DB15 - DB9F+DB9M, 0.5M

Software Supporting

- **Windows 2000 / XP / 7 / 10 WDM driver**
Support Visual C/C++, C#, Microsoft .NET
Framework programming on Windows 2000 / XP / 7 /
10 platform with DLL
- **Real-time Operating System**
INtime®, RTX

Specifications

System

Operating system	Windows Embedded Standard 7 32/64 bit
CPU	Intel® Pentium® N3710 Processor, 1.6GHz/2.56GHz (Boost)
Chipset	SOC
BIOS	UEFI
Memory	Dual Channel DDR3L SO- DIMM socket with 1600MHz, Max. 8GB
Graphic chipset	Intel® HD Graphics 405
Power mode	AT / ATX ; 2-pin Remote Power on/off switch
Input voltage	24VDC input

I/O Interface

Display	VGA: up to 1920 x 1200 ; DVI-D: up to 2560 x 1600
USB	4 x external USB 3.0 ; 2 x external USB 2.0 ; 1 x internal USB for Keypro
Serial port	5 x RS-232; 2 x RS485; 1 x RS-232/422/485
LAN	Intel® I211-AT, 10/100/1000 Mbps
GPIO	Isolated 8 DI + 8 DO
Storage	1 x mSATA SSD; 1 x C-Fast (Option)

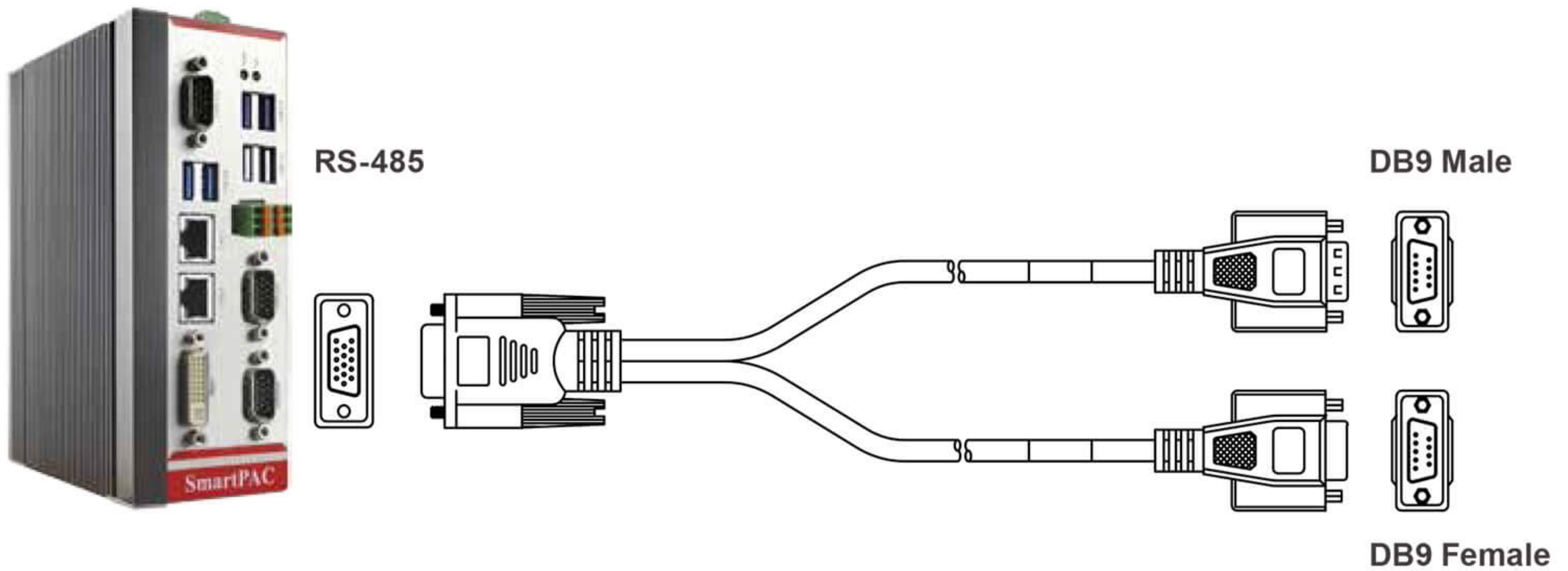
Mechanical

Dimensions	62 x 160 x 115 mm (W x H x D)
Weight	1.38 Kg
Construction	Aluminum chassis with fan-less design

Environment

Operating temperature	0°C ~ 50°C (32°F ~ 122°F)
Storage temperature	-20°C ~ 80°C (-4°F ~ 176°F)
Humidity	90% (non-condensing @ 60°C)

Wiring



Pin Definition of HD15 Female

COM Port	Pin NO.	RS-232	RS-422 (4-Wire)	RS-485 (2-Wire)
1	1	DCD	-	-
	2	RXD	-	-
	3	TXD	-	-
	4	DTR	-	-
	5	GND	-	-
	6	DSR	-	-
	7	RTS	-	-
	8	CTS	-	-
	9	RI	-	-
	10	-	-	-
COM Port	Pin NO.	RS-232	RS-422 (4-Wire)	RS-485 (2-Wire)
2	11	RXD	RXD+	-
	12	TXD	RXD-	-
	13	RTS	TXD+	DATA+
	14	CTS	TXD-	DATA-
	15	GND	GND	GND

Pin Definition of DB9 Male and DB9 Female

Pin NO.	Label	Description
1	DCD	Data Carrier Detect
2	RXD	Receive Data
3	TXD	Transmit Data
4	DTR	Data Terminal Ready
5	GND	Signal Ground
6	DSR	Data Set Ready
7	RTS	Request to Send
8	CTS	Clear to Send
9	RI	Ring Indicator